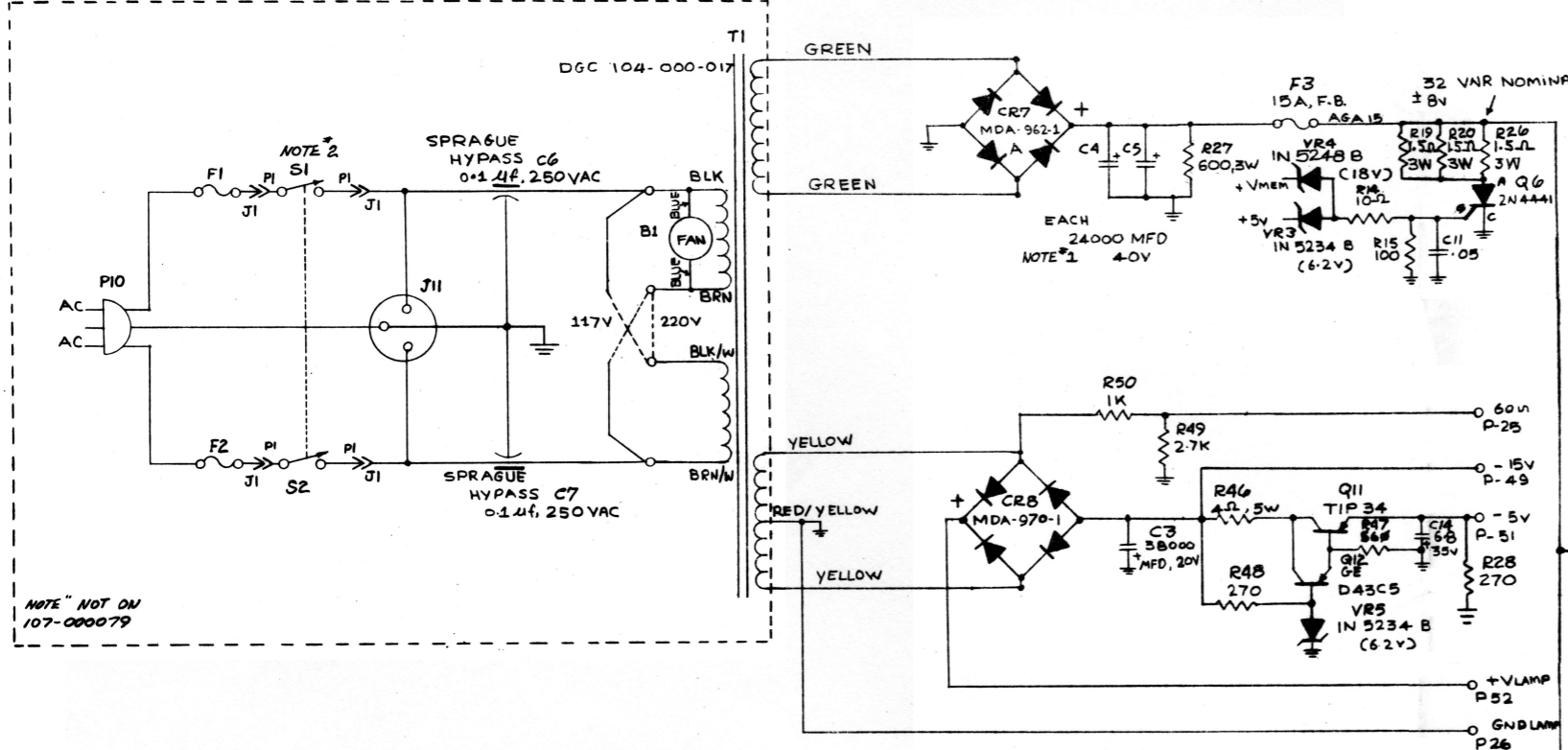
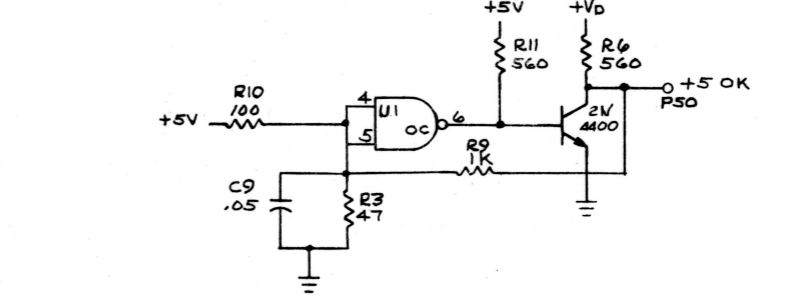
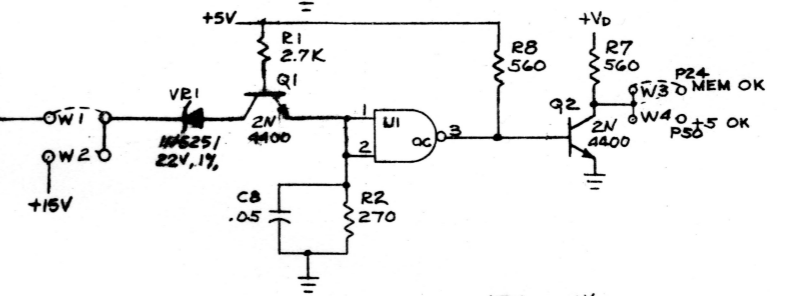
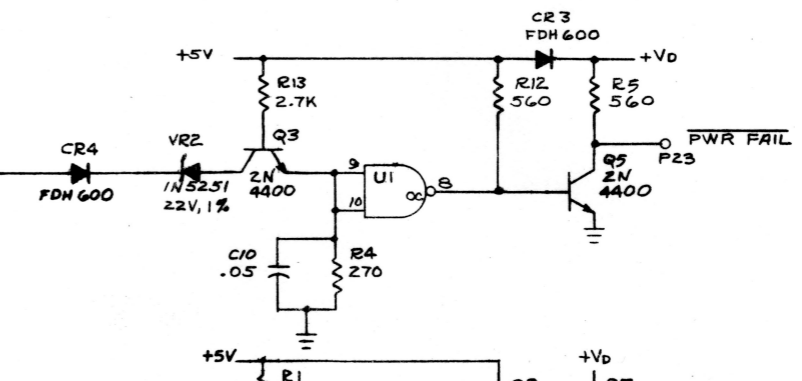


THIS DRAWING AND SPECIFICATIONS, HEREIN, ARE THE PROPERTY OF DATA GENERAL CORPORATION AND SHALL NOT BE REPRODUCED OR COPIED OR USED IN WHOLE OR IN PART AS THE BASIS FOR MANUFACTURE OR SALE OF ITEMS WITHOUT WRITTEN PERMISSION.

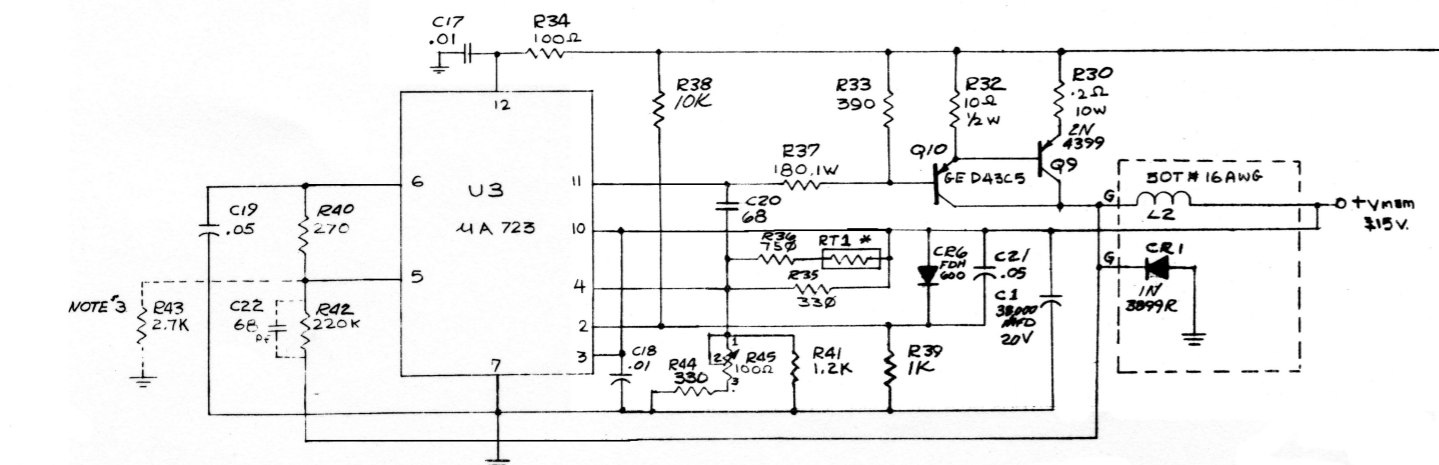
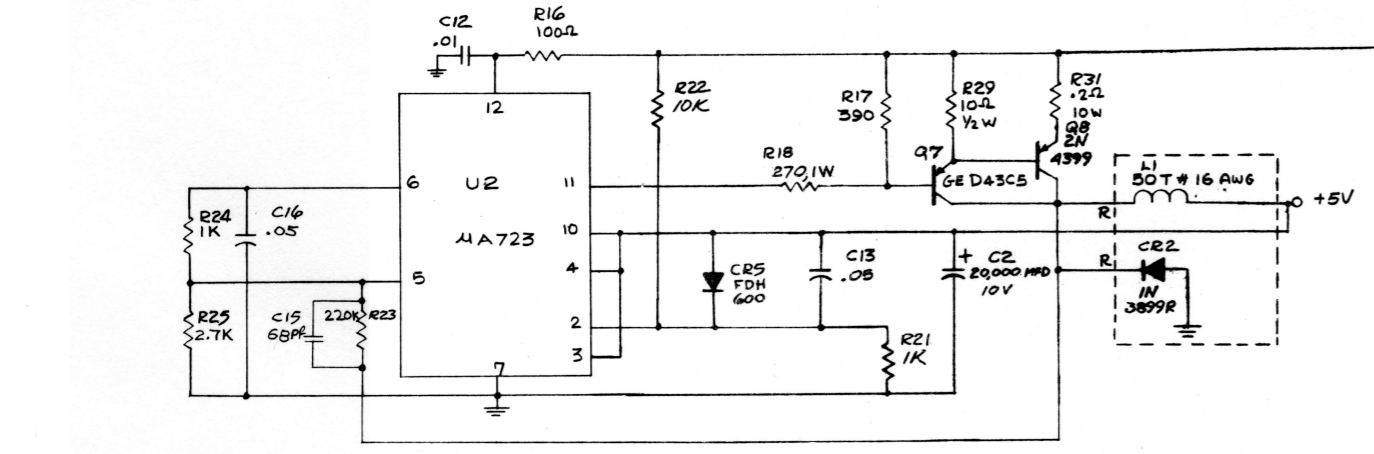
REVISIONS				
REV.	DESCRIPTION	DRFTG	APP. BY	DATE
01	ECO # 111	MDP	MDP	12-1-70
02	ECO # 153+165	MDP	MDP	1-20-71
03	ECO # 288	MDP	MDP	4-21-71
04	ECO # 301	MDP	MDP	1/20/71
05	REF. DIS. NO. 0000 PEE ECO # 272, 366	MDP	MDP	1/20/71



NOTE: NOT ON 107-000079



NOTE 1: +30VNR FILTER CAPS MAY BE 19,000 MFD TO 24,000 MFD.
 NOTE 2: POWER SWITCH IS MOUNTED ON ENCLOSURE MAIN FRAME ASSEMBLY AND IS SHOWN FOR REFERENCE, SEE DWG. # 001-000089
 NOTE 3: R43, C22 ARE NOT USED IN THE STANDARD PWR SUPPLY.
 NOTE 4: STANDARD PWR SUPPLY ASSEMBLY. W1 & W3 ONLY. DUAL +5 AND SINGLE +5. INSTALL W2 & W4. DELETE W1 & W3. * THERMISTOR: SK-2 @ 25°C. PENWAL KA35LI



QTY.	DESCRIPTION	PART NO.
	UNLESS OTHERWISE SPECIFIED— DIMENSIONS ARE IN INCHES. TOLERANCES ON FRACTIONS DECIMALS ANGLES	
	XX ±	
	XXX ±	
	PARTS TO BE FREE FROM BURRS. BREAK ALL EDGES .010	
	UNLESS OTHERWISE SPECIFIED— ALL MACH. SURFACES	
	MATERIAL	
	FINISH	
	SCALE	
	SIZE	
	CODE	
	DRAWING NUMBER	
	REV	

DATA GENERAL CORPORATION
 SOUTHBORO, MASSACHUSETTS 01772
 TITLE
 NOVA 800, 1200
 POWER SUPPLY