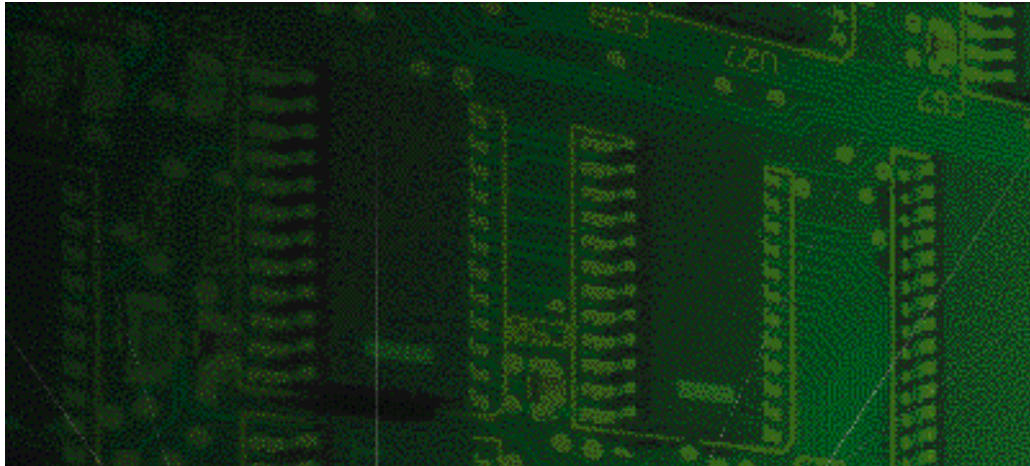




Quad Modem NIC

Getting Started Guide



P/N 1.024.1302-00



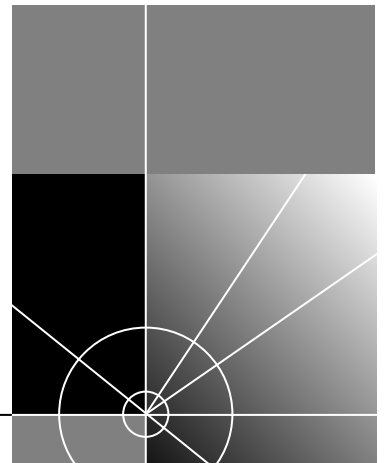


Quad Modem Network Interface Card

Getting Started Guide

<http://www.3com.com/>

Part No. 1.024.1302-00
Published February 1998



3Com Corporation
5400 Bayfront Plaza
Santa Clara, California
95052-8145

Copyright © 1998, 3Com Corporation. All rights reserved. No part of this documentation may be reproduced in any form or by any means or used to make any derivative work (such as translation, transformation, or adaptation) without written permission from 3Com Corporation.

3Com Corporation reserves the right to revise this documentation and to make changes in content from time to time without obligation on the part of 3Com Corporation to provide notification of such revision or change.

3Com Corporation provides this documentation without warranty of any kind, either implied or expressed, including, but not limited to, the implied warranties of merchantability and fitness for a particular purpose. 3Com may make improvements or changes in the product(s) and/or the program(s) described in this documentation at any time.

UNITED STATES GOVERNMENT LEGENDS:

If you are a United States government agency, then this documentation and the software described herein are provided to you subject to the following:

United States Government Legend: All technical data and computer software is commercial in nature and developed solely at private expense. Software is delivered as Commercial Computer Software as defined in DFARS 252.227-7014 (June 1995) or as a commercial item as defined in FAR 2.101(a) and as such is provided with only such rights as are provided in 3Com's standard commercial license for the Software. Technical data is provided with limited rights only as provided in DFAR 252.227-7015 (Nov 1995) or FAR 52.227-14 (June 1987), whichever is applicable. You agree not to remove or deface any portion of any legend provided on any licensed program or documentation contained in, or delivered to you in conjunction with, this User Guide.

Unless otherwise indicated, 3Com registered trademarks are registered in the United States and may or may not be registered in other countries.

3Com, the 3Com logo, Boundary Routing, LANplex, LinkBuilder, NETBuilder, NETBuilder II, Parallel Tasking, EtherLink, SmartAgent, TokenLink, TokenDisk, SuperStack, Transcend, and ViewBuilder are registered trademarks of 3Com Corporation. EtherDisk, EtherLink II, FDDILink, FMS, and NetProbe are trademarks of 3Com Corporation.

Other brand and product names may be registered trademarks or trademarks of their respective holders.

YEAR 2000 INFORMATION:

For information on Year 2000 compliance and 3Com products, visit the 3Com Year 2000 web page:

<http://www.3Com.com/products/jr2000.html>

CONTENTS

OVERVIEW

Document Conventions	1-1
Product Description	1-2
Product Compatibility	1-2

INSTALLATION

Installation Tools	2-1
Installation Procedure	2-1

NIC CABLING

Physical Interfaces	3-1
Connecting to the User Interface Console Port	3-2

TROUBLESHOOTING AND TECHNICAL SPECIFICATIONS

Troubleshooting	A-1
LED Error	A-1
Technical Specifications	A-2
Certifications	A-2
Mechanical	A-2
Environment	A-2
Shipping and Storage	A-2
Operating	A-2
Channel Capacity	A-2
Compatibility	A-2
ITU-T V.90	A-2
ITU-T V.34	A-3
V.Fast Class (V.FC)—Rockwell International	A-3
U.S. Robotics x2	A-3
U.S. Robotics V.32 terbo	A-3

U.S. Robotics High Speed Technology (HST—Dual Standards Only).....	A-3
ITU-T V.32 bis	A-3
ITU-T V.32.....	A-3
Additional Compatibility Features	A-3
Operational Modes	A-4
Fax Service Class 2.0 Commands.....	A-5
Optional Class 2.0 Fax Commands Supported.....	A-5
Fax Service Class 1 Commands.....	A-5
V.25 bis Synchronous Commands and Result Codes.....	A-6
Dial Options.....	A-6
Result Codes.....	A-6
Commands and Result Codes Not Supported.....	A-6
DTE Interface Rates	A-7
Online Fallback/ Fall Forward	A-7
Communications Channel.....	A-7
Dialing.....	A-7
Data Format.....	A-7
Modem Power Requirements	A-7
Modem Test Functions	A-8
Automatic Retrain.....	A-8
Flow Control Buffers	A-8
Transmit Buffer	A-8
Receive Buffer.....	A-8
Command Buffer	A-8
Front Panel LEDs	A-8
Transmitter Carrier Frequencies	A-8
Receiver Carrier Frequencies.....	A-9
Receive Sensitivity	A-10
Transmit Level.....	A-10
Transmitter Frequency Tolerance.....	A-10

1

OVERVIEW





This chapter provides an overview of:

- Document conventions
- Product description
- Product compatibility

Refer to the Total Control Hub Documentation CD-ROM for more information regarding product warranty and contact information.

Document Conventions

The following table lists conventions used throughout this guide.

Icon	Notice Type	Description
	Information note	Information containing important features or instructions.
	Caution	Information alerting you to potential damage to a program, system, or device.
	Warning	Information alerting you to potential personal injury or fatality. May also alert you to potential electrical hazard.
	ESD	Information alerting you to take proper grounding precautions before handling a product.

Product Description

The Quad Modem Network Interface Card (NIC) provides an interface for analog and Electronic Industries Association (EIA) -232 connections for each of the four modem channels on the Quad Modem Network Application Card (NAC).

Product Compatibility

The Quad Modem NIC is compatible with the following NAC:

- Quad Modem NAC
 - Single-sided versions
 - Double-sided versions

2

INSTALLATION

This chapter contains Quad Modem NIC installation information.

Installation Tools

To install this NIC into the Total Control chassis, you will need:

- A #2 Phillips screwdriver
- A flat-head screwdriver

Installation Procedure

To install this NIC:



ESD: To reduce the risk of electrostatic discharge (ESD), take proper grounding precautions before handling the NIC.

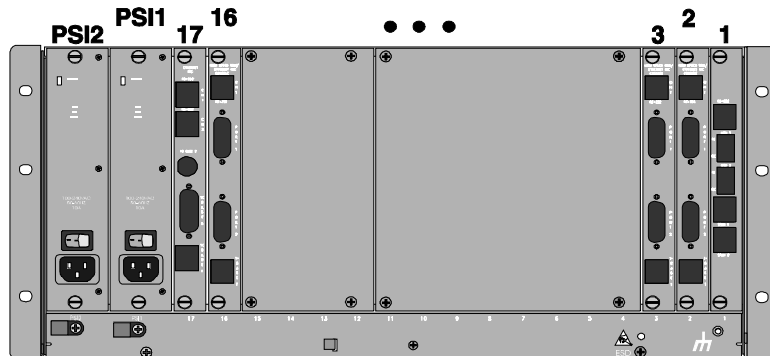


The NIC can be installed whether or not power is applied to the chassis.

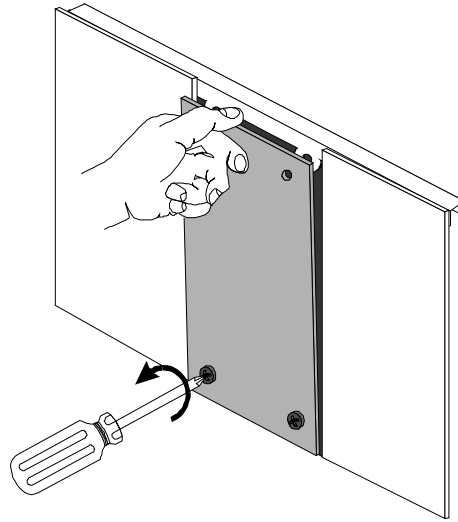
- 1 Select a slot at the rear of the Total Control chassis for installing the NIC. This NIC can be installed in slot(s): 1-17



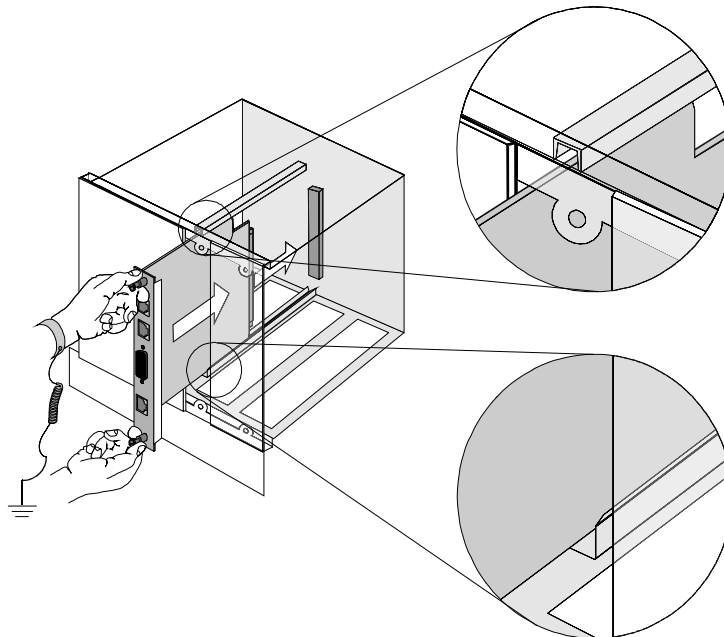
For a managed chassis, slot 17 is reserved for the Network Management Card (NMC) NIC.



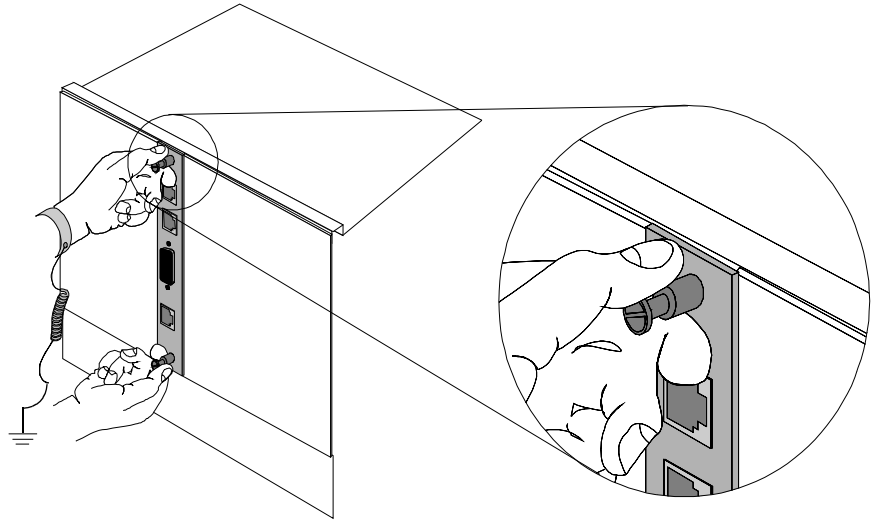
- 2 Remove the safety panel covering this slot.



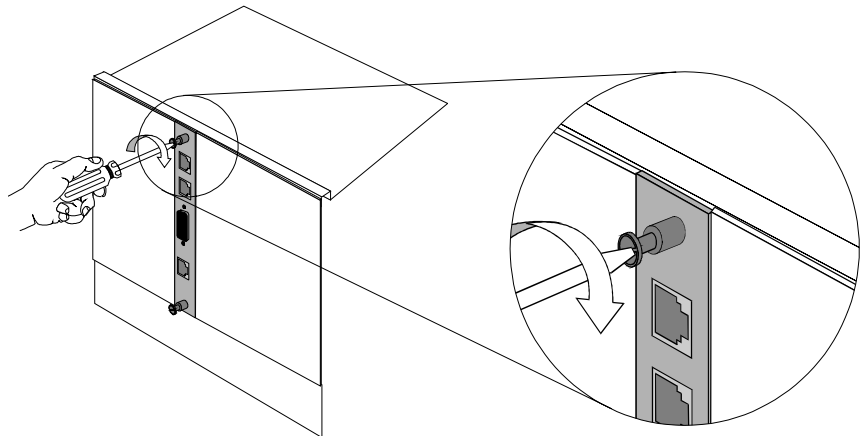
- 3 Insert the NIC between the slot's upper and lower card guides.



- Slide the NIC into the chassis, until the front of the NIC is flush with the chassis.



- Tighten the screws on the front panel.



- Cover any unused chassis slots with safety panels.
- Install the NAC corresponding to this NIC. Refer to the *Quad Modem NAC Getting Started Guide* for more information.

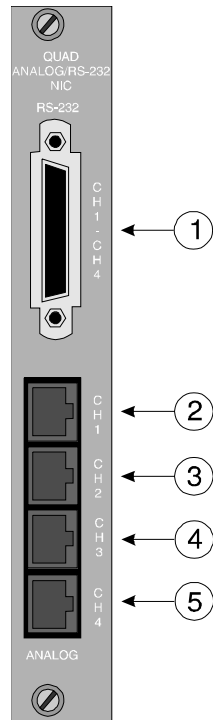
3

NIC CABLING

This chapter provides information on the NIC's physical interfaces and the connection to the corresponding NAC's User Interface (UI) console.

Physical Interfaces

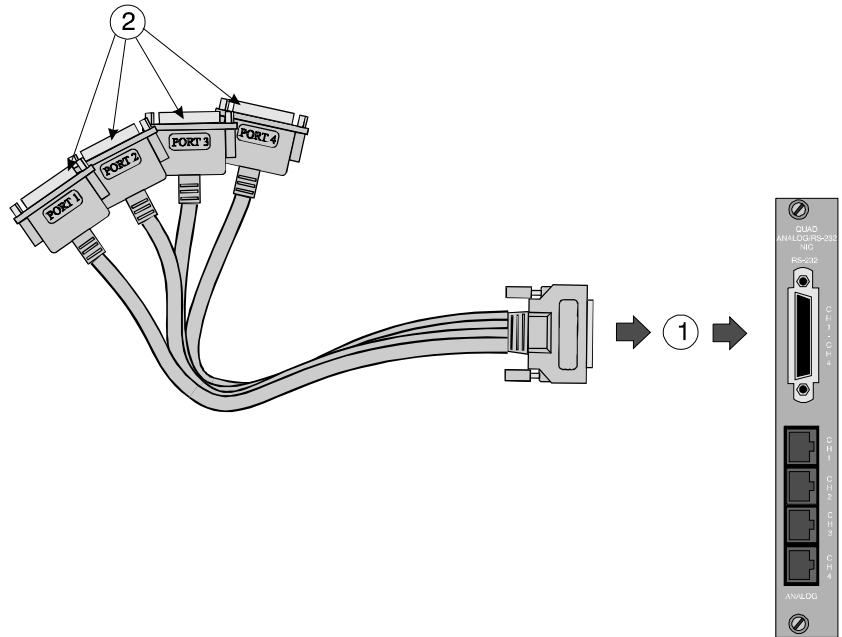
The Quad Modem NIC has the following physical interfaces:



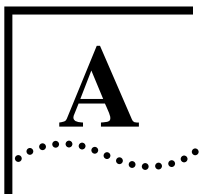
Callout Number	Interface Description
1	CH1-CH4: 50-pin Female EIA-232 serial port <ul style="list-style-type: none"> Connects to 3Com EIA-232 fan cable
2	CH1: RJ-11 analog phone jack
3	CH2: RJ-11 analog phone jack
4	CH3: RJ-11 analog phone jack
5	CH4: RJ-11 analog phone jack

Connecting to the User Interface Console Port

Connect to the UI console port of the NAC corresponding to this NIC.



Callout Number	Description
1	50-pin male EIA-232 connector to NIC's EIA-232 port
2	DB-25 female connector modem ports 1-4 to DTE's COM port for modem diagnosis/configuration



TROUBLESHOOTING AND TECHNICAL SPECIFICATIONS

Troubleshooting

LED Error If the LED is showing no indicator light:

- Improper installation
 - Check cabling and switch position
 - Remove PSU and reinstall
- Input voltage failure
 - Test voltage source

If the LED is showing solid red:

- Needs a new download
 - Perform SDL
 - Check for reflash indicating new NAC file

If the LED is showing solid red or flashing red:

- Improper installation
 - Check cabling
 - Remove PSU and reinstall
- Input voltage out of spec
 - Test input voltage
- Overload condition
 - Remove NICs and NACs one at a time to determine if one is causing error

Technical Specifications

Certifications FCC Part 68 registered and complies with Part 15, Class A for nationwide telephone systems; UL-listed, CSA-approved, and IC-certified

Mechanical

Component	Length “	Height “
Modem Board	12.45	6.400
EIA RS-232 Network Interface Card (NIC)	4.85	6.400

Environment

Shipping and Storage

Temperature: -25 to 75° C
 Humidity: 0 to 100%, Non-condensing

Operating

Temperature: 0 to 40° C
 Humidity: 0 to 95%, Non-condensing

Channel Capacity

Sixteen Quad Modem cards installed in a Total Control chassis support sixty-four phone line channels.

Compatibility

- ITU-T V.90**
- 56K, 54.6K, 53.3K, 52K, 50.6K, 49.3K, 48K, 46.6K, 45.3K, 44K, 42.6K, 41.3K, 40K, 37.3K, 34.6K, 33.3K, 32K, 30.6K, 29.3K, and 28K, asynchronous, Pulse Coded Modulation (PCM)
 - 33.6K to 4800 bps, asymmetrical, V.34 backchannel

ITU-T V.34	33.6K, 31.2K, 28.8K, 25.4K, 24K, 21.6K, 19.2K, 16.8K, 14.4K, 12K, 9600, 7200, and 4800 bps, synchronous/asynchronous, Trellis Coded Modulation (TCM)
V.Fast Class (V.FC)—Rockwell International	28.8K, 26.4K, 24K, 21.6K, 19.2K, 16.8K, 14.4K bps, synchronous/asynchronous, Trellis Coded Modulation (TCM)
U.S. Robotics x2	<ul style="list-style-type: none"> ■ 57.3K, 56K, 54.6K, 53.3K, 52K, 50.6K, 49.3K, 48K, 46.6K, 45.3K, 44K, 42.6K, 41.3K, 40K, 38.6K, 37.3K, 36K, 34.6K, 33.3K, 32K, 28K, 26.6K, and 25.3K, asynchronous and asymmetrical, Pulse Coded Modulation (PCM) ■ 31.2K to 4800 bps, asymmetrical, V.34 backchannel
U.S. Robotics V.32 <i>terbo</i>	<ul style="list-style-type: none"> ■ 21.6K, 19.2K, 16.8K, 14.4K, 12K, 9600, 7200 bps asynchronous, 19.2K, 16.8K, 14.4K, 12K, 9600, 7200 bps synchronous, Trellis Coded Modulation (TCM) ■ 4800 bps, synchronous/asynchronous, Quadrature Amplitude Modulation (QAM)
U.S. Robotics High Speed Technology (HST—Dual Standards Only)	16.8K, 14.4K, 12K, 9600, 7200 and 4800 bps, asynchronous, asymmetrical, 450 bps back channel with automatic handshake adjustment to 300 bps, Trellis Coded Modulation (TCM), Quadrature Amplitude Modulation (QAM)
ITU-T V.32 <i>bis</i>	<ul style="list-style-type: none"> ■ 14.4K, 12K, 9600, 7200 bps, synchronous/asynchronous, Trellis Coded Modulation (TCM) ■ 4800 bps, synchronous/asynchronous, Quadrature Amplitude Modulation (QAM)
ITU-T V.32	<ul style="list-style-type: none"> ■ 9600 bps, synchronous/asynchronous, Trellis Coded Modulation (TCM) ■ 4800 bps, synchronous/asynchronous, Quadrature Amplitude Modulation (QAM)
Additional Compatibility Features	<ul style="list-style-type: none"> ■ ITU-T V.25, answer sequence ■ Bell 208B, 4800 bps, synchronous, Quadrature Amplitude Modulation (QAM)

- ITU-T V.23, 1200 bps, asynchronous, asymmetrical (1200/75 bps), Frequency Shift Keying (FSK)
- ITU-T V.22 *bis*, 2400 bps, synchronous/asynchronous, Quadrature Amplitude Modulation (QAM)
- ITU-T V.22, 1200 bps, synchronous/asynchronous, Differential Phase Shift Keying (DPSK)
- Bell 212A, 1200 bps, synchronous/asynchronous, Differential Phase Shift Keying (DPSK)
- Bell 103, 300 bps, asynchronous, Frequency Shift Keying (FSK)
- ITU-T V.21, 300 bps, asynchronous, Frequency Shift Keying (FSK)
- U.S. Robotics HST error control protocol for HST modulation
- ITU-T V.42 error control protocol for modulations V.22, V.22 *bis*, Bell 212A, V.32, V.32 *bis*, V.32 *terbo*, V.FC, x2, and V.90
- ITU-T V.42 *bis* data compression for modulations V.22, V.22 *bis*, Bell 212A, V.32, V.32 *bis*, V.32 *terbo*, V.FC, x2, and V.90
- Microcom Networking Protocol (MNP) error control protocol for modulations V.22, V.22 *bis*, Bell 212A, V.32, V.32 *bis*, V.32 *terbo*, V.FC, x2, and V.90
- Microcom Networking Protocol (MNP), Level 5 data compression for modulations V.22, V.22 *bis*, Bell 212A, V.32, V.32 *bis*, V.32 *terbo*, V.FC, x2, and V.90
- Microcom Networking Protocol error control Class 10 (MNP10), at 14.4K/12K/9600/7200/4800 (V.32 *bis* mode) and at 1200 bps
- Microcom Networking Protocol error control Class 10 Enhanced Cellular (MNP10EC), at 14.4K/12K/9600/7200/4800 (V.32 *bis* mode)
- Enhanced Throughput Cellular™ (V.42 ETC) error control protocol, at 14.4K/12K/9600/7200/4800 bps (V.32 *bis* mode) and at 1200 bps
- Pulsed DSR/CTS following CD signal options
- Superset of industry standard AT command set

Operational Modes

- Auto Dial/Auto Answer
- Auto Answer only
- Fax Modems

- Auto Dial/Auto Answer
- Auto Answer only
- Fax mode

Fax Service Class 2.0 Commands

For information on Class 2.0 technical specifications, contact Global Engineering Documents, at 1-800-854-7179. The document that covers this information is:

ANSI/EIA/TIA-592-1993 (EIA-592)
Asynchronous Facsimile DCE Control Standard
May, 1993

Optional Class 2.0 Fax Commands Supported

U.S. Robotics uses these optional Class 2.0 fax commands:

+FNS	Pass-through non-Standard negotiation byte string
+FCR=0,1	Capability to receive
+FAA=0,1	Adaptive Answer mode
+FCT=0-255 sec.	Phase C Timeout
+FHS?	Hangup Status Code, read only
+FMS=0-3	Minimum Phase C Speed
+FBS?=500,100	Buffer size, read only

Fax Service Class 1 Commands

+FCLASS=n (0,1)	Class identification and control
+FTS=n (0,255)	Stop transmission and pause, 10 ms.
+FRS=n (0,255)	Wait for silence, 10 ms.
+FTM=n (3,24,48,72,96)	Transmit data with carrier
+FRM=n (3,24,48,72,96)	Receive data with carrier
+FTH=n (3,24,48,72,96)	Transmit HDLC data with carrier
+FRH=n (3,24,48,72,96)	Receive HDLC data with carrier

V.25 *bis* Synchronous Commands and Result Codes

Dial Options 0-9 & : > < = P T; space . - * #) (!

Result Codes **Call Failure Indication (CFI) with optional parameters:**

- Abort call (CFAB)
- Local modem busy (CFCB)
- Engaged tone (CFET)
- Forbidden call (CFFC)
- Number not stored (CFNS)
- Answer tone not detected (CFNT)
- Ring tone (CFRT)
- Connect (CNX)
- List of numbers (LS)
- List of forbidden numbers (LSF)
- List of stored numbers (LSN)
- Incoming call (INC)

Invalid (INV) with optional parameters:

- Message syntax error (INVMS)
- Command unknown (INVCU)
- Parameter syntax error (INVPS)
- Parameter value error (INVPV)
- Valid (VAL)

**Commands and Result
Codes Not Supported**

- Call request with identification number (CRI)
- Program identifier (PRI)
- Request list of identification numbers (RLI)
- List of delayed call numbers (RLD)

DTE Interface Rates 115.2K, 57.6K, 38.4K, 19.2K, 9600, 4800, 2400, 1200, 300 bps

**Online Fallback/
Fall Forward** For modulations V.32, V.32 *bis*, V.32 *terbo*, V.FC, x2, and V.90

**Communications
Channel**

- T1 and E1/PRI dial-up
- 2-wire dial up
- Demand-driven high speed channel turnaround in HST mode
- Symmetrical speeds in V.32 *bis*, V.32 *terbo*, and V.FC modes
- Asymmetrical and symmetrical speeds in V.34 and V.34 *plus* modes

Dialing

- DTMF tone dialing or pulse dialing
 - DTMF tones = 0-9, #, *
- MF tones over T1
 - MF tones = 0-9, #, *, ST, KP

Data Format Binary, serial, asynchronous; defaults to 7-bit word length, even parity, 1 stop bit

Word Length	Parity	Stop Bits
7	Even, Odd, Mark, Space	1
7	None	2
8	None	1

**Modem Power
Requirements**

- 1.0 A @ +5.2 VDC
- 0.7 A @ 12.2 VDC
- 24.66 watts
- 84.57 BTU/Hr

Modem Test Functions

- Analog Loopback (Quad Analog and Quad Analog/Digital modems only)
- Bilateral Digital Loopback
- Remote Digital Loopback

Testing is individually selectable using software. The system supports simultaneous testing, regardless of test type selected for any one modem.

Automatic Retrain

On poor quality lines when operating at 2400 – 56K bps

Flow Control Buffers

Transmit Buffer

- Error control
3.25K bytes
- Non-error control
1.5K bytes, 128-byte option

Receive Buffer

2K bytes

Command Buffer

64 characters, exclusive of AT prefix, carriage return, and spaces

Front Panel LEDs

- RN/FL
Normal/Fail
 - CHAN
Modem Channels 1-4/Testing/Fail/Idle/Off-Hook/Connected (one LED for each modem)
-

Transmitter Carrier Frequencies

Protocol	Originate Mode	Answer Mode
ITU-T V.90	8000 Hz	8000 Hz

Protocol	Originate Mode	Answer Mode
ITU-T V.34	1800 Hz	1800 Hz
	1829 Hz	1829 Hz
	1867 Hz	1867 Hz
	1920 Hz	1920 Hz
	1959 Hz	1959 Hz
	2000 Hz	2000 Hz
V.Fast Class	1800 Hz	1800 Hz
	1875 Hz	1875 Hz
	1920 Hz	1920 Hz
USR-V.32 <i>terbo</i> / V.32 <i>bis</i> / V.32	1800 Hz	1800 Hz
USR-HST, 450 bps back channel	375 Hz	1800 Hz
HSR-HST, 300 bps back channel	350 Hz	1800 Hz
V.32 <i>bis</i>	1800 Hz	1800 Hz
V.23	<i>Mark</i> : 390 Hz	<i>Mark</i> : 1300 Hz
	<i>Space</i> : 450 Hz	<i>Space</i> : 2100 Hz
V.22 <i>bis</i> , V.22, Bell 212A	1200 Hz	2400 Hz
Bell 103	<i>Mark</i> : 1270 Hz	<i>Mark</i> : 2225 Hz
	<i>Space</i> : 1070 Hz	<i>Space</i> : 2025 Hz
V.21	<i>Mark</i> : 980 Hz	<i>Mark</i> : 1650 Hz
	<i>Space</i> : 1180 Hz	<i>Space</i> : 1850 Hz

Receiver Carrier Frequencies

Protocol	Originate Mode	Answer Mode
ITU-T V.90	1920 Hz	1920 Hz
	1959 Hz	1959 Hz
	2000 Hz	2000 Hz
ITU-T V.34	1800 Hz	1800 Hz
	1829 Hz	1829 Hz
	1867 Hz	1867 Hz
	1920 Hz	1920 Hz
	1959 Hz	1959 Hz
	2000 Hz	2000 Hz
V.Fast Class	1800 Hz	1800 Hz

Protocol	Originate Mode	Answer Mode
	1875 Hz	1875 Hz
	1920 Hz	1920 Hz
USR-V.32 <i>terbo</i> / V.32 <i>bis</i> / V.32	1800 Hz	1800 Hz
USR-HST, 450 bps back channel	1800 Hz	375 Hz
USR-HST, 300 bps back channel	1800 Hz	350 Hz
V.32 <i>bis</i>	1800 Hz	1800 Hz
V.23	<i>Mark</i> : 1300 Hz	<i>Mark</i> : 390 Hz
	<i>Space</i> : 2100 Hz	<i>Space</i> : 450 Hz
V.22 <i>bis</i> , V.22, Bell 212A	2400 Hz	1200 Hz
Bell 103	<i>Mark</i> : 2225 Hz	<i>Mark</i> : 1270 Hz
	<i>Space</i> : 2025 Hz	<i>Space</i> : 1070 Hz
V.21	<i>Mark</i> : 1650 Hz	<i>Mark</i> : 980 Hz
	<i>Space</i> : 1850 Hz	<i>Space</i> : 1180 Hz

Receive Sensitivity -44 dBm ± 2 dBm

Transmit Level -9 dBm maximum

**Transmitter
Frequency Tolerance** .01%